

BARCODE SCANNER

LKS-BS-A256

Operating System Compatibility

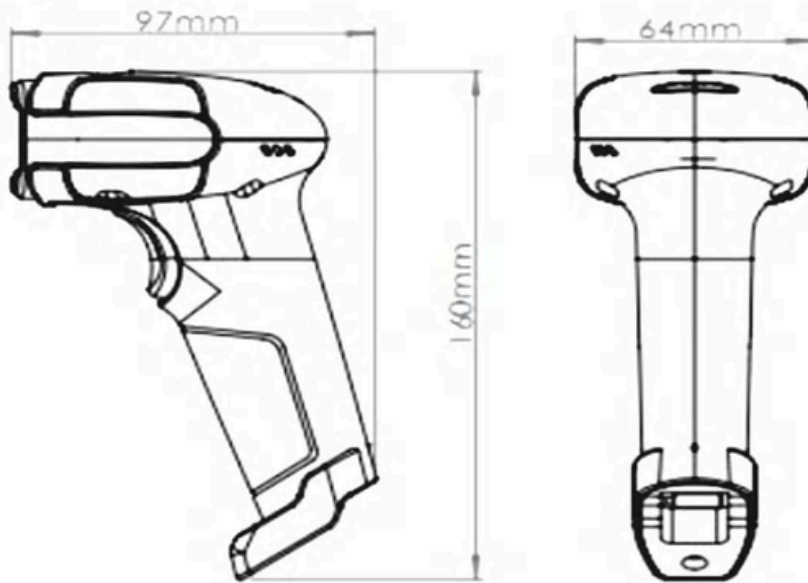


Windows: Fully compatible with all Windows operating systems. Provides easy integration with POS systems, cash registers, and desktop computers.

Mac OS: Compatible with Apple devices. Ensures fast and seamless operation in retail and store solutions.

Linux: Can also be used with open-source operating systems. Its flexible structure allows integration into various commercial or industrial solutions.

Android: Works with Android-based tablets, smartphones, or POS terminals. Offers practical use in mobile payment and QR code solutions.



TECHNICAL PARAMETERS

Resolution (of a photo)	Rolling Shutter
Voltage	5V
Dimensions	160mm × 64mm × 97mm
Weight	140.5g
Interfaces Supported	USB
Image (Pixels)	640 (H) × 480 (V)
Light Source	Aimer: Red color LED Illumination: White color LED
Field of View	48°(H) × 36°(V)
Roll / Pitch / Yaw	360°, ±65°, ±65°
Motion Tolerances	0.3m/s
Shock Specifications	Designed to withstand 1.2m (5') drops